

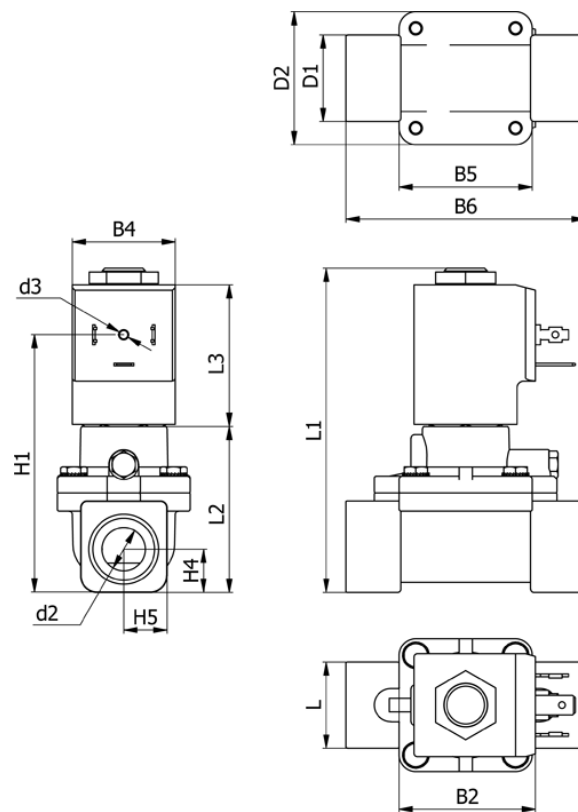
Data Sheet



Article number: 588U2E613BB0671

Description: Solenoid valve type U2E613.BB0.671 2/2 NC
24 VDC orifice 13,0 housing in Brass Inlet port G1/2"

Measures



B2 = 41	Flow = 35	Valve function = 2/2 NC
B4 = 31	H1 = 77.5	Voltage = 24 VDC
B5 = 40	H4 = 13	
B6 = 72	H5 = 13	
D1 = 26	L1 = 97.6	
d2 = G1/2"	L2 = 50	
D2 = 40	L3 = 42.5	
d3 = M3x4	Orifice = 13.0	